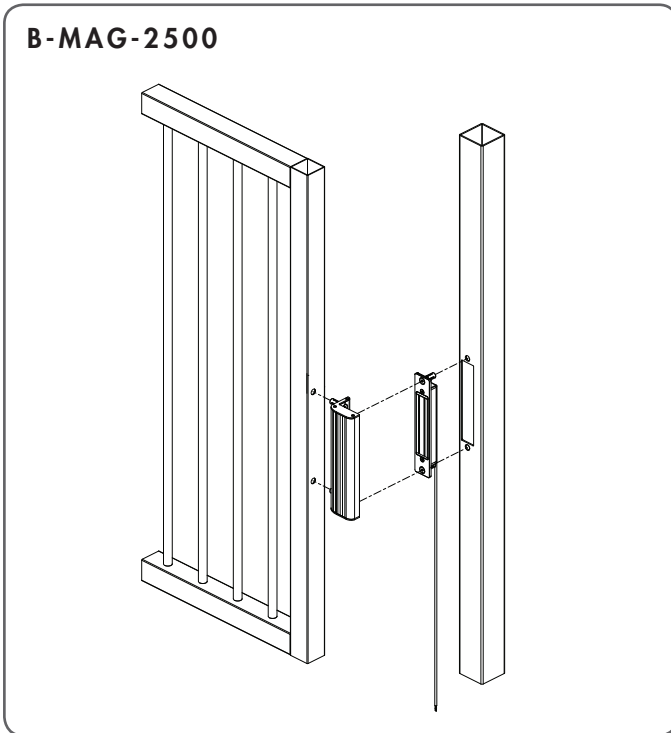


LOCINOX®

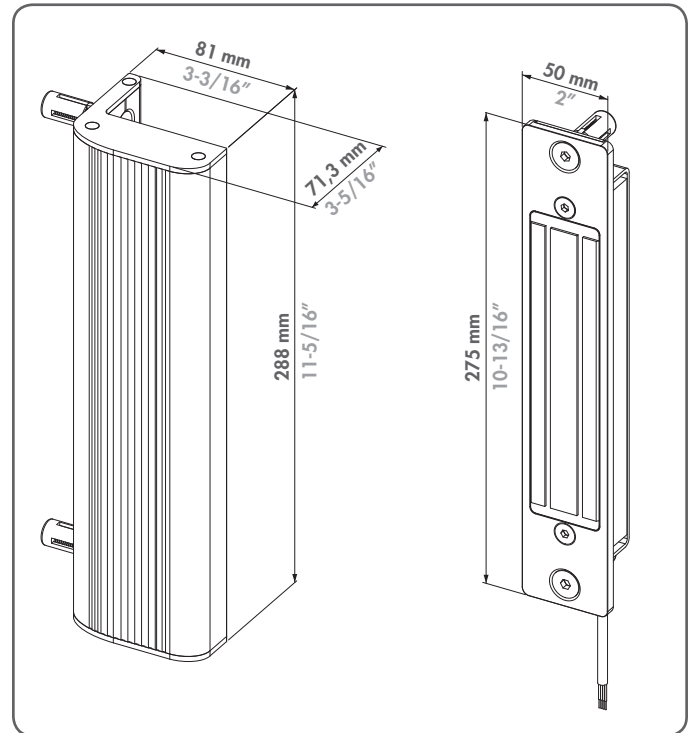
Let's make better fences together

B-MAG-2500

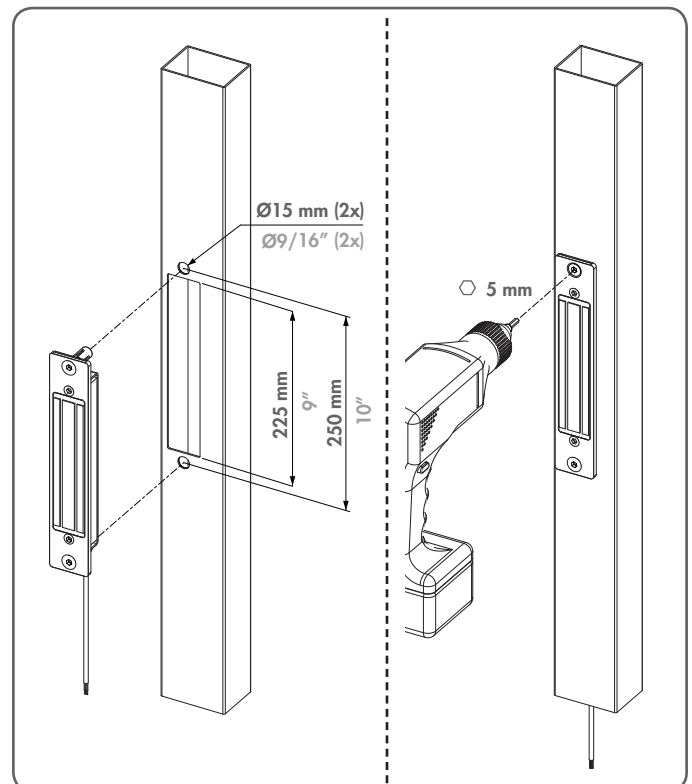
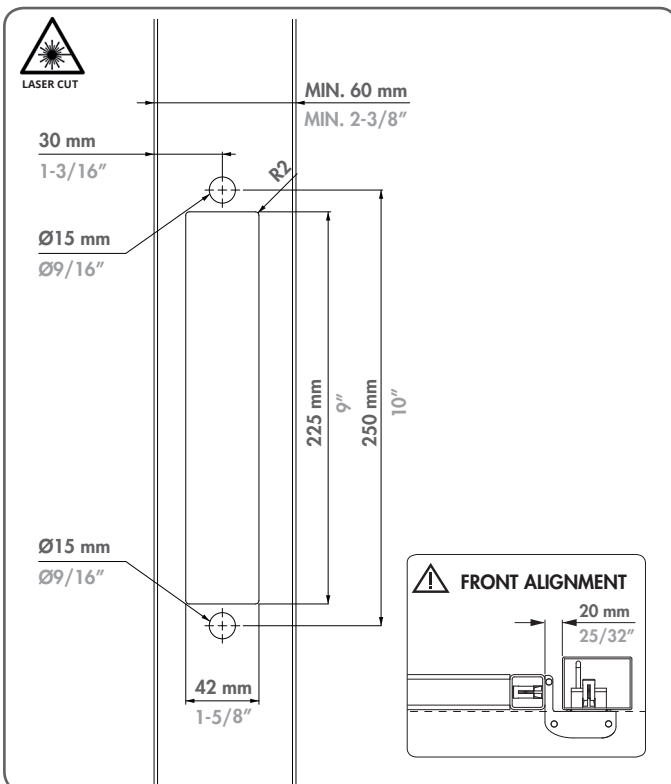
① OVERVIEW



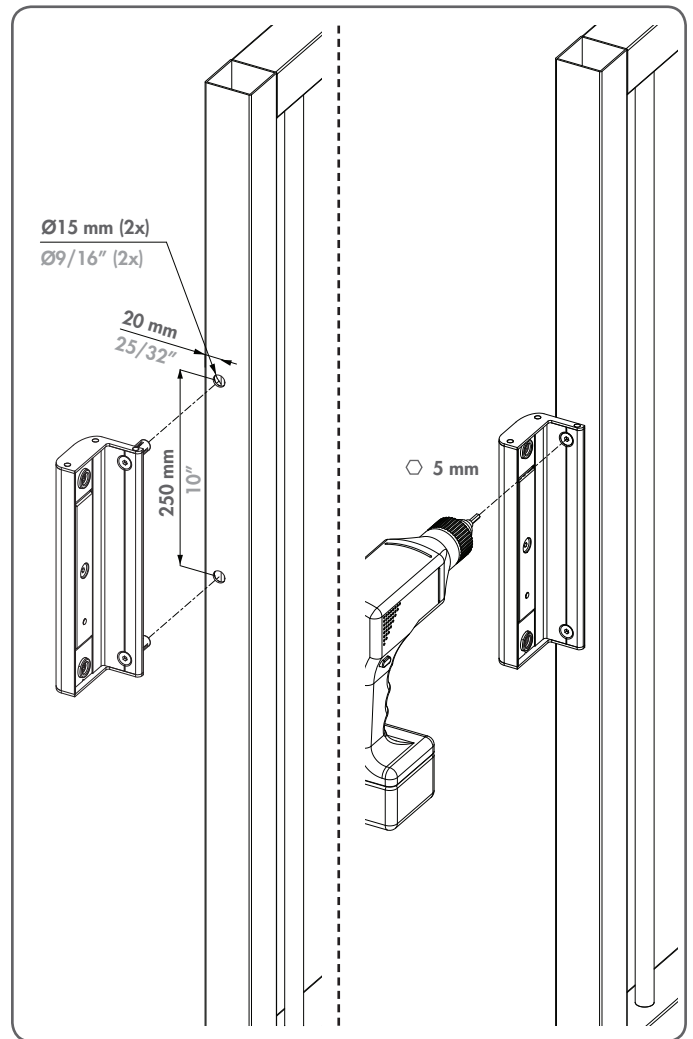
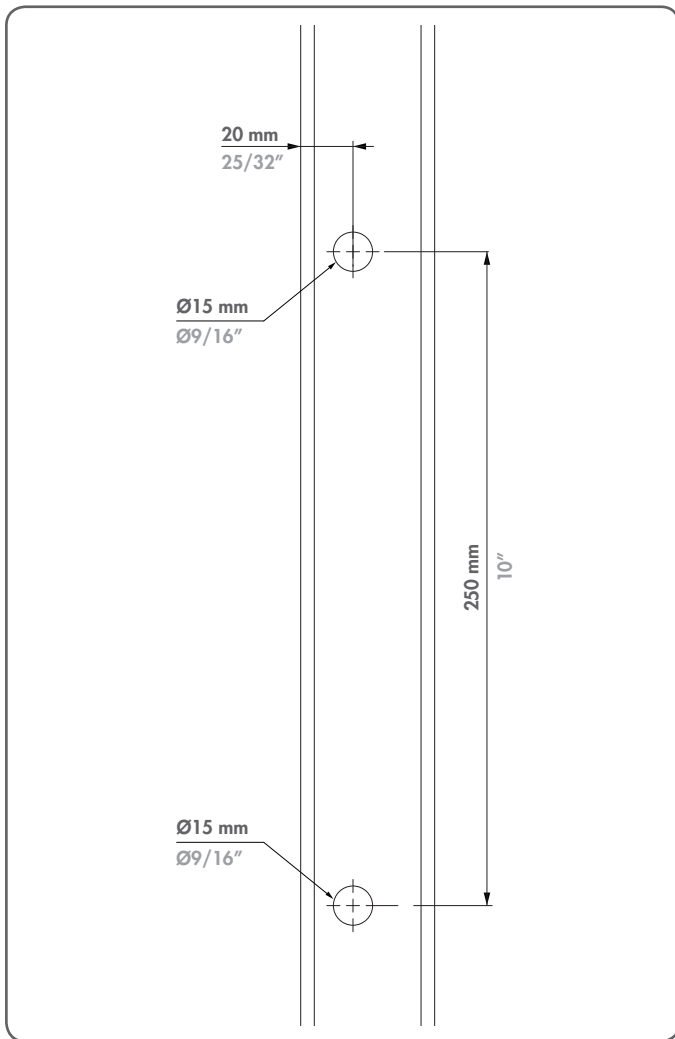
② PACKAGE CONTENT & DIMENSIONS



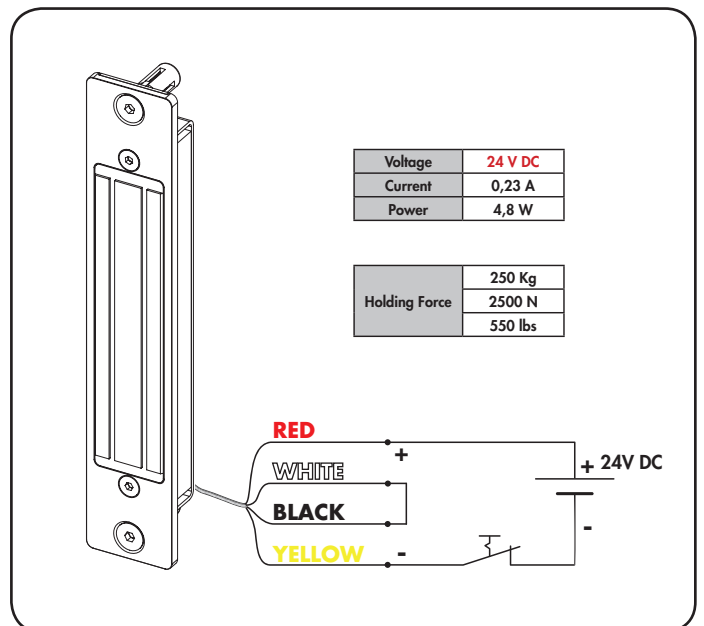
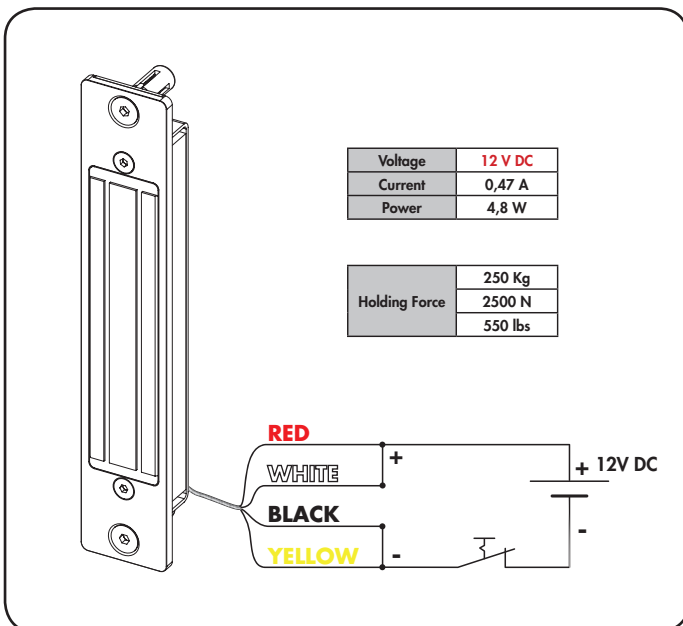
③ MAGNET POST PREPARATION AND MOUNTING



④ B-MAG-2500 GATE PREPARATION AND MOUNTING



⑤ 12 AND 24V DC - SITUATION



LOCINOX®
Let's make better fences together

Doc. Nr.: MANU-000231



* M A N U - 0 0 0 2 3 1 *

Locinox nv • Mannebeekstraat 21 • B-8790 Waregem • Belgium - Europe
Tel. +32 (0)56 77 27 66 • Fax. +32 (0)56 77 69 26 • E-mail: locinox@locinox.com